



PAR38-120LED



High brightness 6 Watts PAR38 LED spot/flood lamps designed as a direct, ready-to-plug-in retrofit for traditional PAR38 halogen lamps. Cool white, warm white color are the most popular choices, red, blue, green, yellow, RGB color change are also demanding.

Our big sized PAR38 spotlight is 4.75" in diameter, is perfect for those hard-to-reach places where it's dangerous and hard to change bulbs. The 120 LEDs use only nearly 6 watts. Led Light Bulb provides significant energy savings, low heat, long lamp life, durability, and design flexibility.

Features:

- 120 High Brightness LEDs, 250/210 Lumen, 6W compared to 60W
- Easy Installation Using Existing Socket
- E26 Medium Base, beam degree: 45°
- Working Temp:-20~40°C, Storage Temp:-20~85°C, Frequency:50/60Hz
- Dimension: Φ 122 X 131 mm
- High luminous efficacy: 25~35 lm/W, low power consumption, energy saving
- Withstand shocks and vibrations, moisture-tolerant, anti-distortion
- Minimized maintenance hassles and costs, cool to the touch, produce very little heat
- CE certification, RoHS compliance. Two year warranty

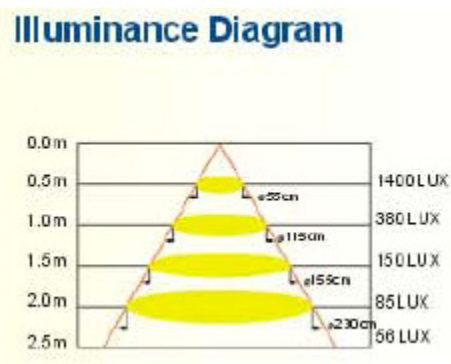
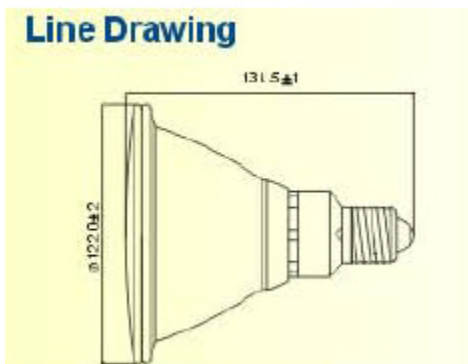
Applications:

Pool light, shooting light, decorating light, showing and wall light, retail stores, residential interior/exterior, hospitality, and so on.

Remark:

Indoor and outdoor use. Voltage: 110-130V AC. Illuminance data are tested at distance of 1 meter

Dimension: (mm)



Ordering Information

Model: PAR38-(Color)

e.g. PAR38-WW

Available in Colors:

R – Red

G – Green

B – Blue

Y – Yellow

WW – Warm White 2700-3500K

CW – Cool White 5500-6500K

RGB – Color Changer