



# PAR20-36LED



High brightness 2 Watts PAR20 LED spot/flood lamps designed as a direct, ready-to-plug-in retrofit for traditional PAR20 halogen lamps. Cool white, warm white color are the most popular choices, red, blue, green, yellow, RGB color change are also demanding.

At only 2.5" in diameter our PAR20 LED light bulbs with medium base fit just about everything from reading lights and small ceiling cans to small track light fixtures. The 36 LEDs are combined with a real glass lens to put out either warm white or daylight white light for your choice, and add a nice decorative glow wherever you need. These bulbs use less energy than your standard incandescent and halogen bulbs, which means good news for your electric bill. They last up to 50,000 hours and produce virtually no heat. In short: LED bulbs are the safest, most cost-effective artificial light sources in the world.

## Features:

- 36 High Brightness LEDs, 78/65 Lumen, 2W compared to 25W
- Easy Installation Using Existing Socket
- E26 Med Base, beam degree: 45°
- Working Temp: -20~40°C, Storage Temp: -20~85°C, Frequency: 50/60Hz
- Dimension:  $\Phi$  63 X 73 mm
- High luminous efficacy: 25~35 lm/W, low power consumption, energy saving
- Withstand shocks and vibrations, moisture-tolerant, anti-distortion
- Minimized maintenance hassles and costs, cool to the touch, produce very little heat
- CE certification, RoHS compliance. Two year warranty.

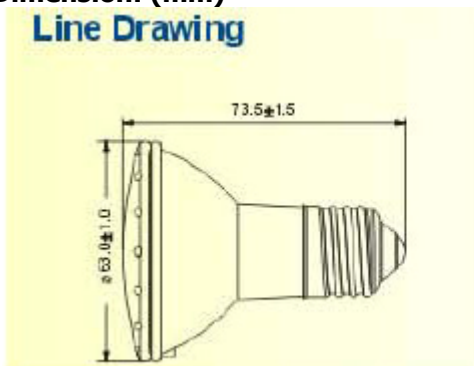
## Applications:

Pool light, shooting light, decorating light, showing and wall light, retail stores, residential interior/exterior, hospitality, and so on.

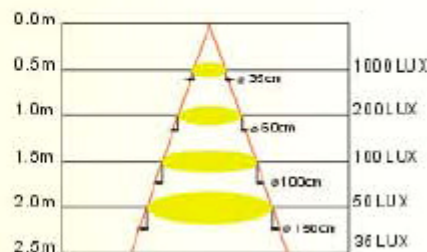
## Remark:

Indoor and outdoor use. Voltage: 110-130V AC. Illuminance data are tested at distance of 1 meter

## Dimension: (mm)



## Illuminance Diagram



## Ordering Information

Model: PAR20-(Color)

e.g. PAR20-WW

### Available in Colors:

**R** – Red

**G** – Green

**B** – Blue

**Y** – Yellow

**WW** – Warm White 2700-3500K

**CW** – Cool White 5500-6500K

**RGB** – Color Changer